

# FBT-12120

## 12.1 inch Open Frame LCD Monitor



### Features

- RoHS Compliant, meets UL, CSA, TUV, FCC B, VCCI B, CE TCO 99, TUV Ergo, EPA Energy Star certifications
- Kiosk, equipment and instrument drop-in design
- Superior viewing angles, contrast ratio and brightness
- Sturdy and ventilation consideration structure

### Options

- Durable Resistive and Surface Acoustic Wave Touchscreen
- DVI, Composite and BNC video input
- MP-01, MP-02 signage players

### Touchscreen Options

- FBT-12120TEAR 5-Wire Resistive RS232 Touch O/F Monitor
- FBT-12120TEARU 5-Wire Resistive USB Touch O/F Monitor
- FBT-12120TEAS SAW RS232 Touch O/F Monitor
- FBT-12120TEASU SAW USB Touch O/F Monitor

### Specifications

#### LCD Panel

TFT Active Matrix Color  
12.1 inch diagonal viewable  
SVGA 800 x 600 resolution (maximum)  
0.3075 x 0.3075 mm pixel pitch  
262,000 color display  
400 nit brightness (typical, 80-90% with touchscreen)  
80% luminance uniformity (minimum)  
500:1 contrast ratio (typical at 25°C)  
35 ms response time (typical)  
±70°L/R, 55°U/D  
50,000 hours MTBF (minimum at 25°C)

#### Video Interface

VGA compatible analog RGB  
24-54 kHz horizontal scan  
50-90 Hz vertical refresh  
OSD (On Screen Display) keys

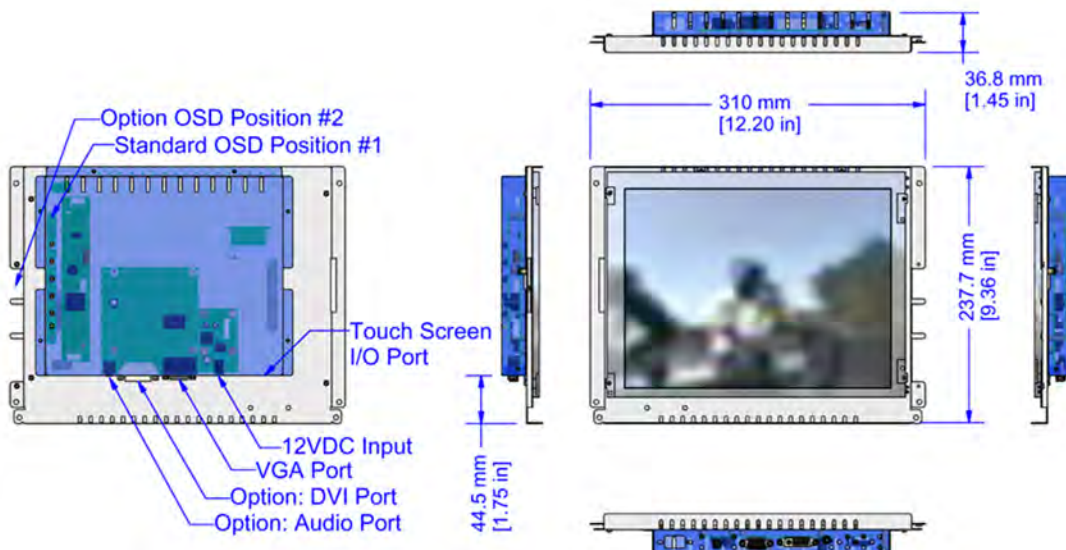
#### Mechanical and Environment

Operation Temperature: 0~50°C [32~122°F]  
Storage Temperature: -20~60°C [-4~140°F]  
Humidity: 80% maximum  
310 x 238 x 36.8 mm [12.2 x 9.36 x 1.45 inch]  
1.4 kg [3 lbs]

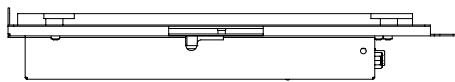
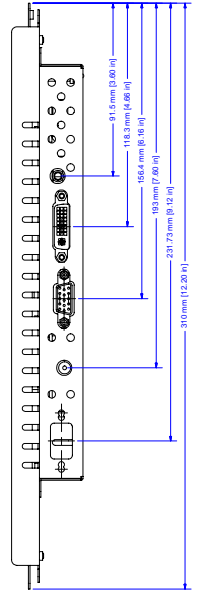
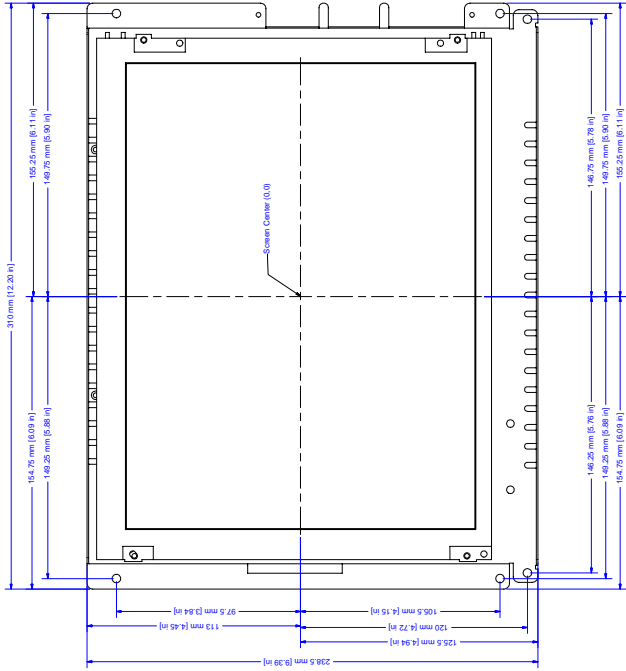
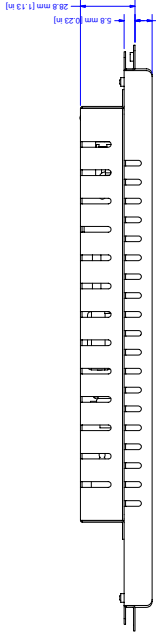
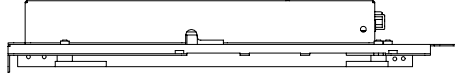
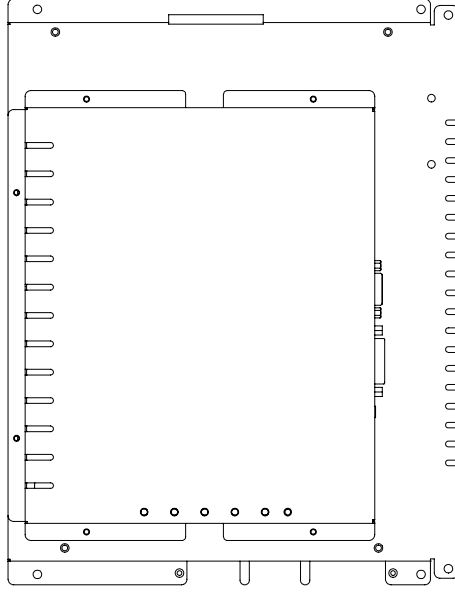
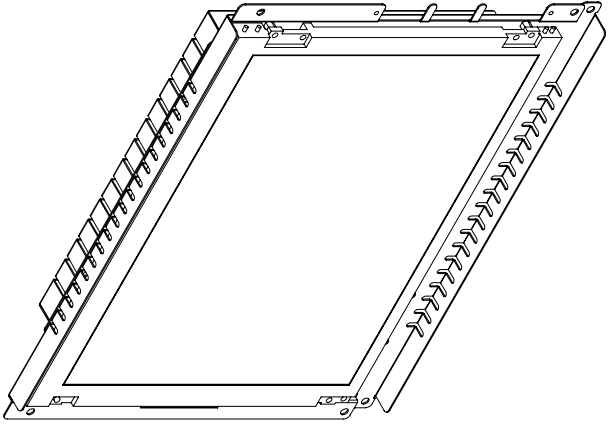
#### Power Management

VESA DPMS Standard  
5W sleep mode, 34.6W normal mode  
12V/3.33A, 40W, Universal Input Adapter

### Technical Data



**Caltron Industries Inc**  
Display Solutions Provider Since 1997



REVISED	DATE	BY	APP'D
0000/00/00			
DATE PREPARED	BY	APP'D	REVISED
03/30/2009			
DATE CHECKED	BY	APP'D	REVISED
DRAWING TITLE			
12' Open Frame			
DRAWING NUMBER		PROJECT NUMBER	
FBT-12120			
DRAWN		CHECKED	
Z		1	
SHEET		OF	
1		1	
Cation Industries Inc.			